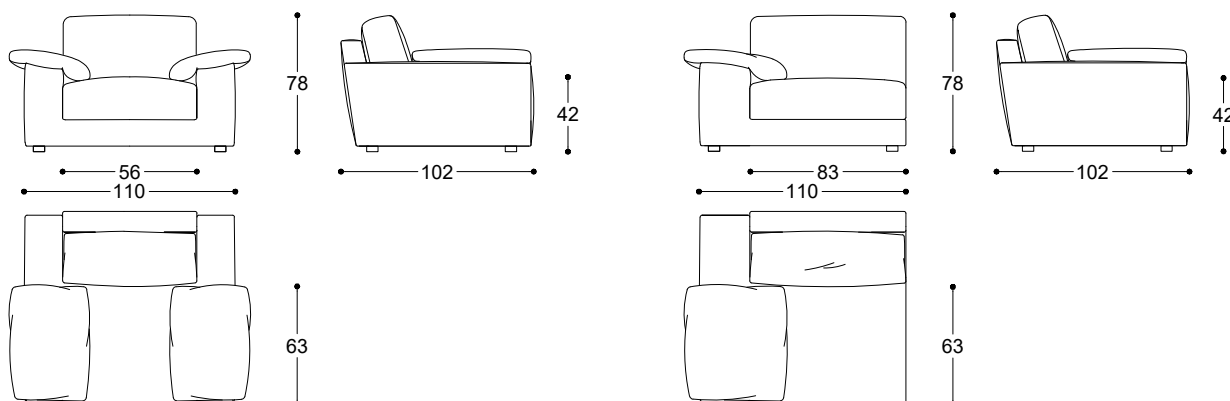


Pier Luigi Frighetto, 2011



Modular sofa with structure in fir and poplar wood, with crossed elastic belt spring system. Padding in high-density expanded polyurethane, upholstery in thermo-bonded fibre with stretch jersey. Seat cushions in 100% European channelled goose feather, 10% down, with central insert in high-density polyurethane, closed in independent rooms. Back cushions in 100% European, channelled goose feather, 10% down, closed in independent rooms, with central insert in memory foam. Fully removable fabric covers, only the cushions for the leather version.

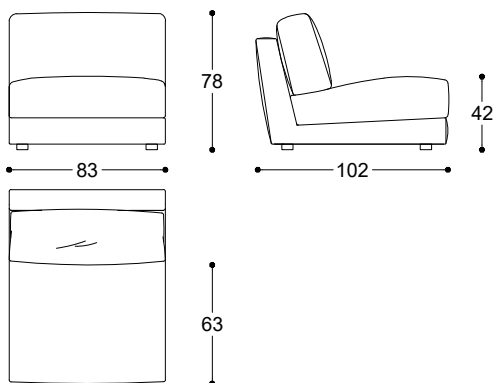
Divano componibile con struttura in legno di pioppo e abete, con molleggio a nastri elastici intrecciati. Imbottitura struttura in poliuretano espanso ad alta densità, rivestimento in fibra termolegata accoppiata a maglia elastica. Cuscini seduta in 100% piuma d'oca di provenienza europea, 10% piumino, chiusi in camere indipendenti l'una dall'altra, con inserto centrale in poliuretano espanso a quote differenziate ad alta densità e memory foam. Cuscini schienale in 100% piuma d'oca, di provenienza europea, 10% piumino, chiusi in camere indipendenti l'una dall'altra. Completamente sfoderabile in tessuto, in pelle solo i cuscini.



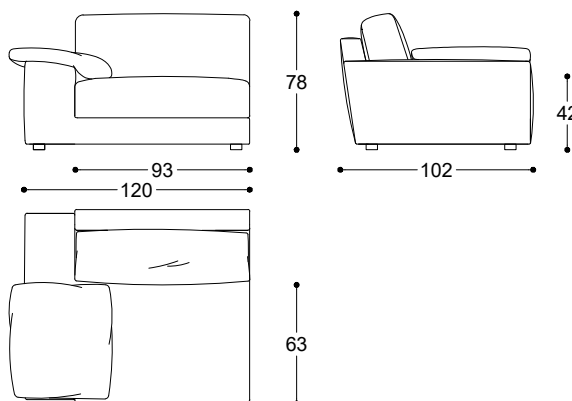
Article: Armchair
Code: DAN10

Article: Terminal element 110 x 102 Left
Code: SX-DAN2D
Article: Terminal element 110 x 102 Right
Code: DX-DAN2C

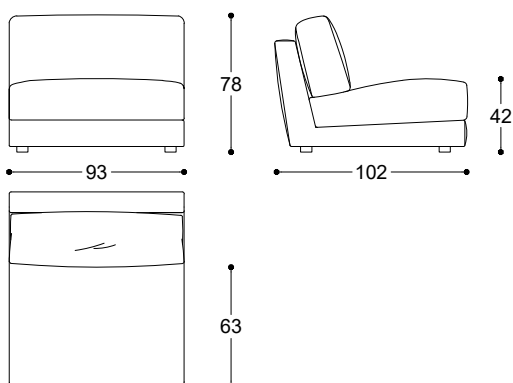
Pier Luigi Frighetto, 2011



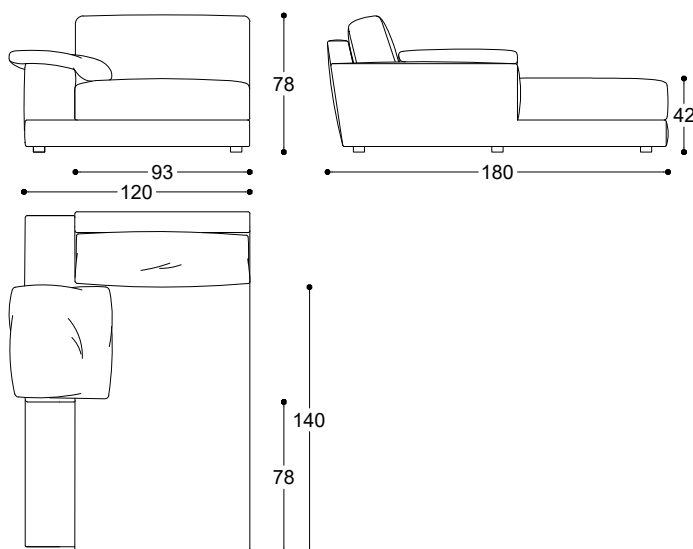
Article: Linear element 83 x 102
Code: DAN20



Article: Terminal element 120 x 102 Left
Code: SX-DAN3F
Article: Terminal element 120 x 102 Right
Code: DX-DAN3E

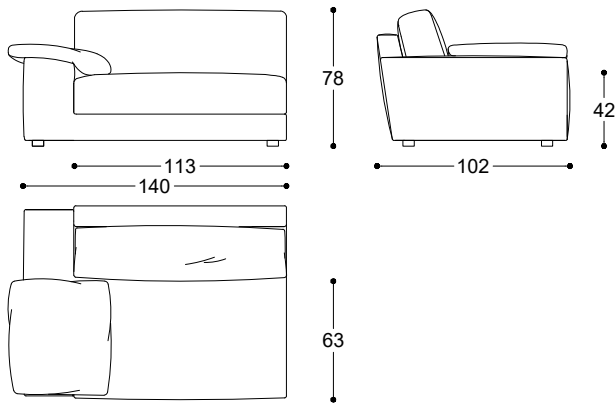


Article: Linear element 93 x 102
Code: DAN30

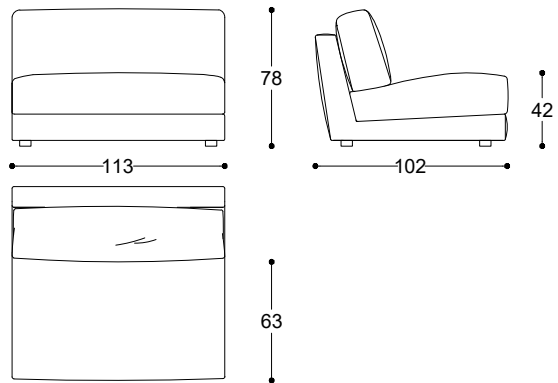


Article: Dormeuse 120 x 180 Left
Code: SX-DAN1B
Article: Dormeuse 120 x 180 Right
Code: DX-DAN1A

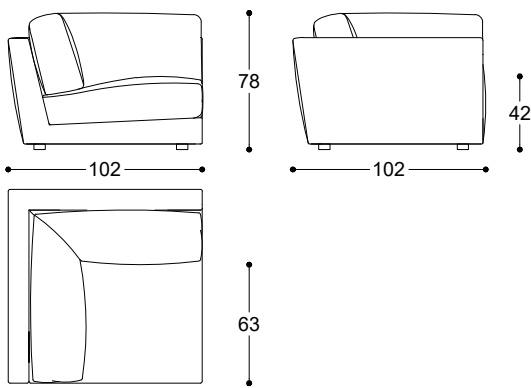
Pier Luigi Frighetto, 2011



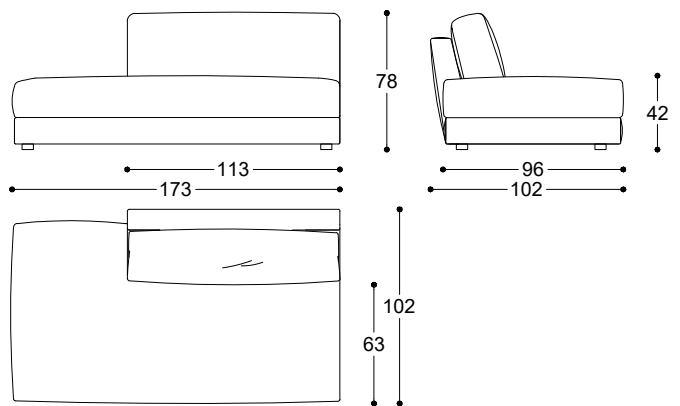
Article: Terminal element 140 x 102 Left
 Code: SX-DAN5H
 Article: Terminal element 140 x 102 Right
 Code: DX-DAN5G



Article: Linear element 113 x 102
 Code: DAN50



Article: Corner element 102 x 102
 Code: DANAN



Article: Open element 173 Left
 Code: SX-DAN6M
 Article: Open element 173 Right
 Code: DX-DAN6L