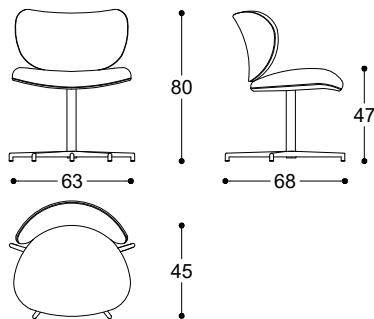


Pier Luigi Frighetto, 2019

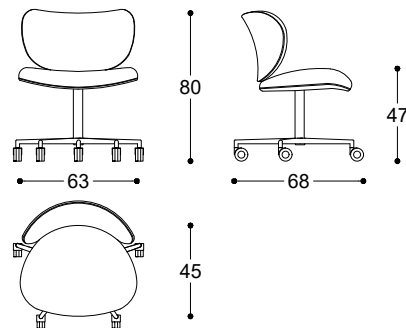


Armchair with swivel base and seat, back in curved beech wood, padding in high-resilience expanded polyurethane. 5-point-star base in die-cast aluminium, painted matt black, with soft self-braking castors, or base without wheels with return device. Non removable cover.

Poltroncina girevole con struttura in multistrato di faggio e imbottitura in poliuretano espanso. Base 5 razze, in alluminio verniciato nero con ruote gommate auto-frenanti oppure base senza ruote con meccanismo autoallineante. Non sfoderabile.



Article: Office armchair
Code: KAL100F



Article: Office armchair with weels
Code: KAL100FR