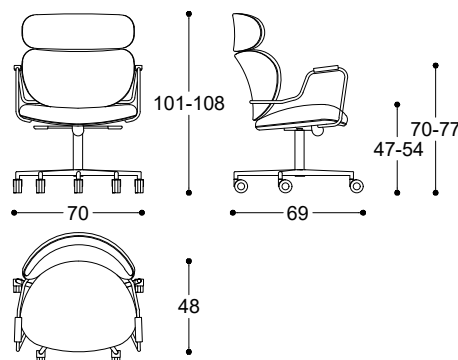


*Pier Luigi Frighetto, 2019*



Armchair with swivel base and seat, back in curved beech wood, padding in high-resilience expanded polyurethane. 5-point-star base in die-cast aluminium, matt black varnished. Soft self-braking castors. Tilting 4 positions. Gas-lift height mechanism. Steel armrest, matt black varnished. Non-removable cover.

*Poltroncina girevole con struttura in multistrato di faggio e imbottitura in poliuretano espanso. Base 5 razze, in alluminio verniciato nero con ruote gommiate auto-frenanti. Meccanismo oscillante, 4 posizioni. Elevazione a gas. Braccioli fissi in acciaio, verniciati nero opaco. Non sfoderabile.*



Article: Office armchair  
Code: ASI100F